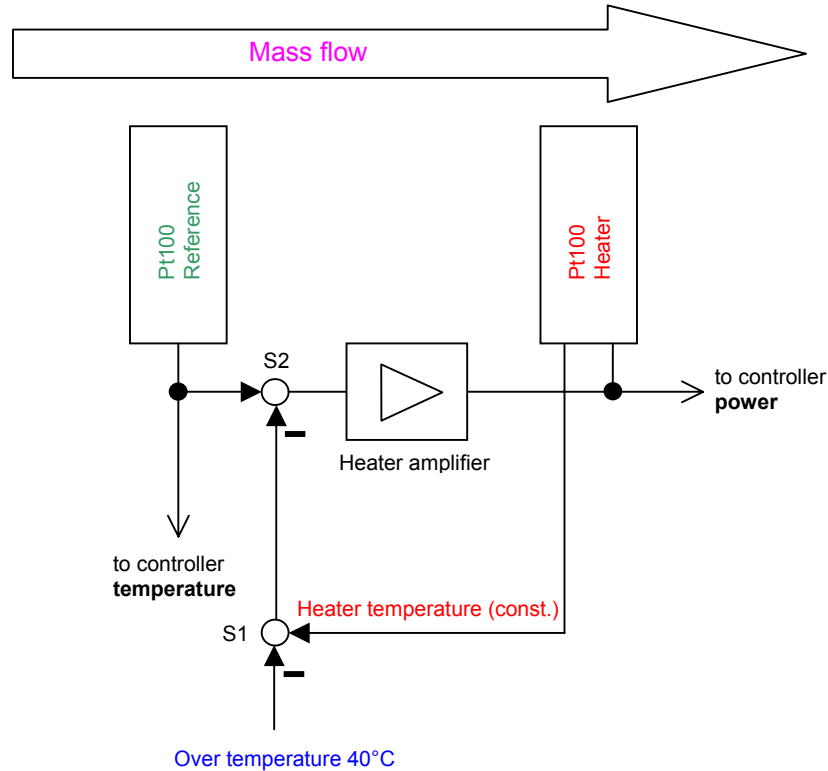


Function of the mass flow meter SF-586a



Medium	Pt100 Ref.	Pt100 Heat.	S1out	S2out	Comment to result
20	20	55	$55-40=15$	$20-15=5$	Heater is to cold, adjust with +5
20	20	60	$60-40=20$	$20-20=0$	Heater temperature is OK., no adjust necessary
20	20	65	$65-40=25$	$20-25=-5$	Heater is to warm, adjust with -5

Medium	Pt100 Ref.	Pt100 Heat.	S1out	S2out	Comment to result
20-5	20-5	60-5	$55-40=15$	$15-15=0$	Heater temperature is OK., no adjust necessary
20	20	60	$60-40=20$	$20-20=0$	Heater temperature is OK., no adjust necessary
20+5	20+5	60+5	$65-40=25$	$25-25=0$	Heater temperature is OK., no adjust necessary

The first table shows the adjust when changing the heater temperature influenced by the mass flow. The destination of these electrical adjustments: a constant over temperature related to the medium temperature, also when the mass flow try to cool the heater.

As result of this adjustment the power consumption of the heater is influenced by the mass flow, it is directly proportional (not linear) to the mass flow.

The second table shows the adjust when changing the medium temperature. When the medium temperature increase or decrease, both, the reference and the heater increase or decrease so that there is no effect to the power consumption of the heater.