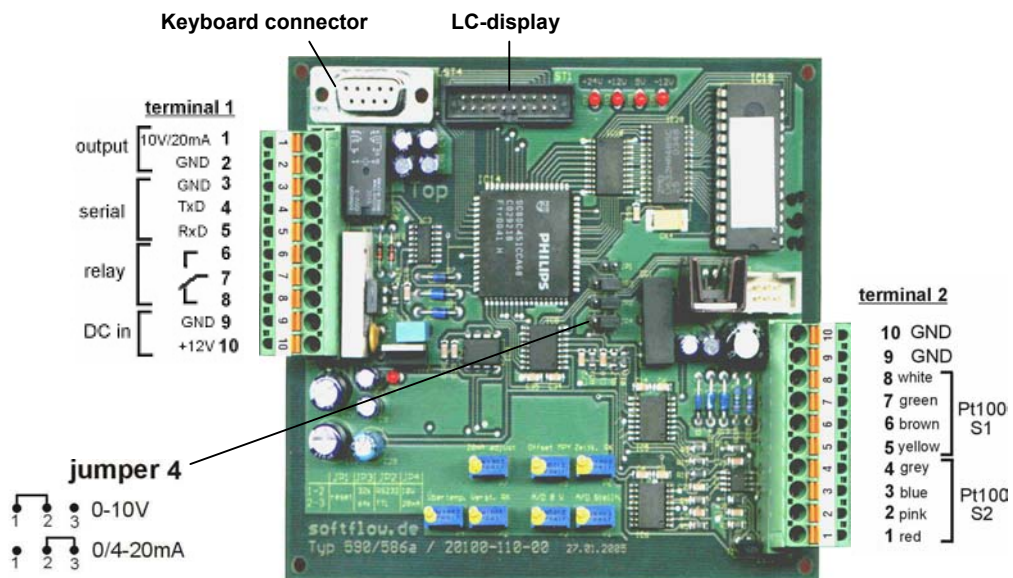


Voltage or current output-Jumper 4 setting

Jumper-position 1+2 connecting = voltage 0(2)-10 Volt

Jumper-position 2+3 connecting = current 0(4)-20mA

The offset 2V / 4mA could be changed via software-menu: ANALOGRANGE



The window ANALOGRANGE

The analogue range (0/4-20mA or 0/2-10V) can be associated with the following measuring ranges

LC-INDICATION

STDV-FLOW	standard volume flow
OP.V.-FLOW	operating volume flow
MASSFLOW	Mass flow
Temp.	Temperature
PRESSURE	operating pressure
SPEED	flow velocity

The configuration of a current or voltage output is done via the jumper within the unit (see text before).

```
NV-Strom 4-20mA
Enter +- ←/* F1
      11989 Nm3/h
      11989 Nm3/h
```

- ⇐ Moves cursor one step to the left
- ⇒ Moves cursor one step to the right
- + Marked position one up
- Marked position one down
- / Associates the analogue range output to the next measuring size
- * Uses the recommended value as upper analogue range limit
- F1** Switches between 0 and 4-20 mA or 0 and 2-10 V
- Enter** Exit window **ANALOGRANGE**

The recommended value of the third line of the input window is a maximum, which can be taken as upper analogue range limit.

The entered chosen digital value is always associated to the max. analogue signal value (10 V or 20 mA).

The measuring process is still active when entering the pipe diameter. Each input becomes effective immediately.

Note:

If you make changes in window **MEDIUM** you have to actualise the **ANALOGRANGE**, because the computer sets it automatically to the max. possible value.